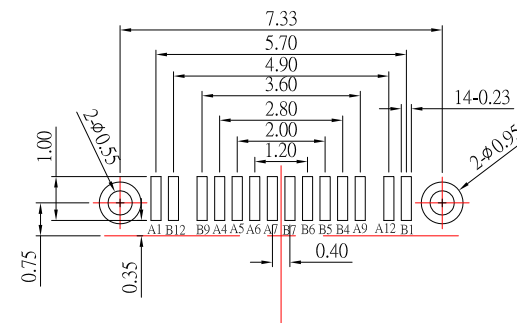
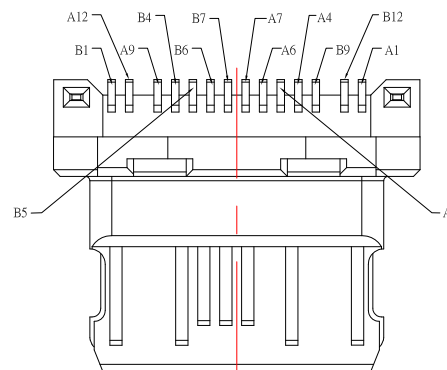
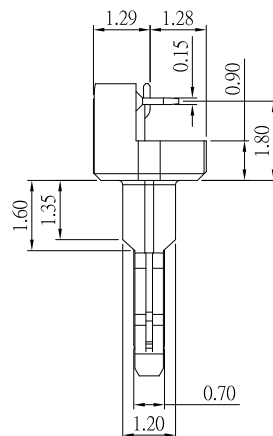
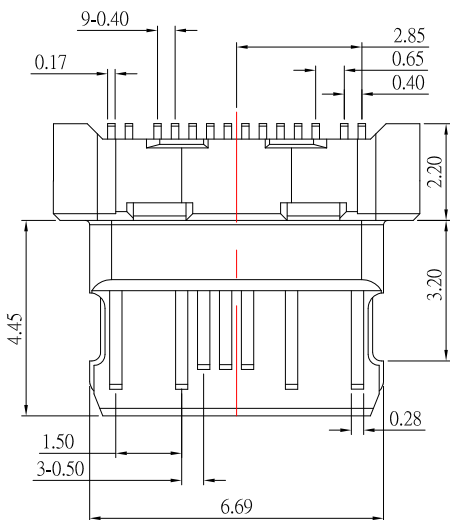


A1	GND	B12	GND
A4	VBUS	B9	VBUS
A5	CC1		
A6	DP1	B7	DN2
A7	DN1	B6	DP2
		B5	CC2
A9	VBUS	B4	VBUS
A12	GND	B1	GND
PIN	SIGNAL NAME	PIN	SIGNAL NAME



RECOMMENDED P.C.B. LAYOUT



SPECIFICATIONS

Electrical:

1. Rating: 30V DC, 3.0 A
2. Dielectric Withstand Voltage: 500V AC
3. Contact Resistance: 30 mΩ Max
4. Insulation Resistance: 1000 MΩ Min

Material:

1. Housing: LCP
2. Contact: C7025
3. Mid Plate: SUS

Finish:

1. Contact: Plated Gold in Mating Area ;
Tin Plated on Solder Balls ;
Nickel under plated overall
2. Mid Plate: Tin under Plated surface layer

4	新增尺寸	Jack	080522
3	新增尺寸	Jack	052322
2	更新Contact材質	Jack	101821
1	更新材質	Jack	123120
ITEM NO.	DESCRIPTION	DRAWN	DATE

CONTACT 建倚科技股份有限公司
CONTACT TECHNOLOGY CORP.

TOLERANCE UNLESS OTHERWISE STATED:
Up to 5 ±0.2
Above 5 ~ 15 ±0.3
Above 15 ~ 30 ±0.4
Above 30 ~ 50 ±0.5
Angle ±0.3°

3RD. ANGEL'S

UNITS MM

DRAWN BY:	DATE	MAT'L	TITLE	CONNECTOR
Jack Lu	08/05/22		MODLE	USB TYPE C 2.0 卡勾沉板
CHECKED BY:	DATE	FINISH	DWG NO.	SBC-140M2-202-S412
Jacky Chen	08/05/22	SCALE	1 : 1	PART NO.
APPROVED BY:	DATE	SHEET NO.	1 of 1	SBC-140M2-202-S412
Tony Kao	08/05/22			
				SIZE A4
				VER R4